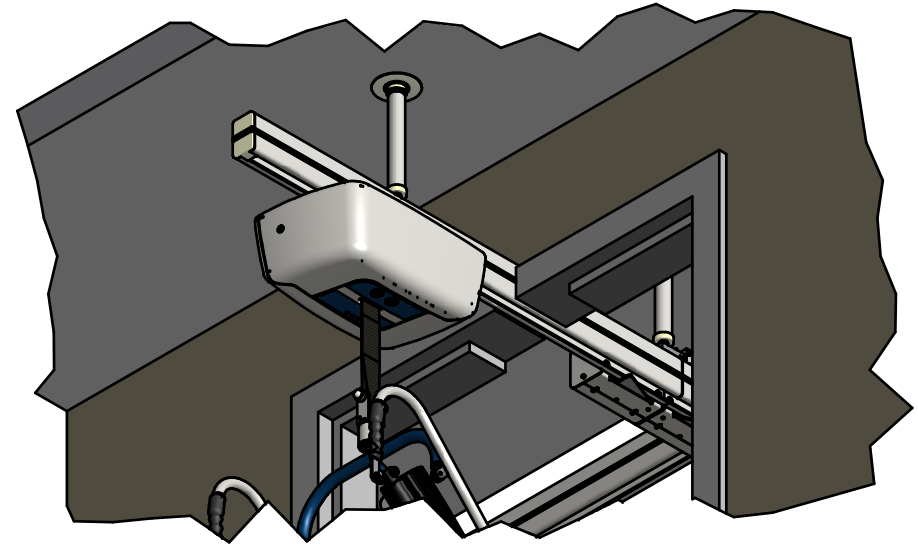
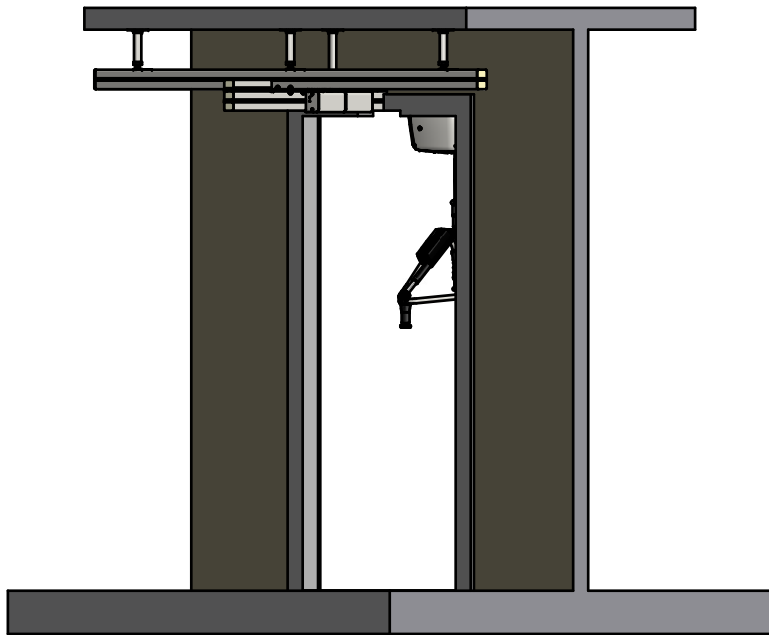
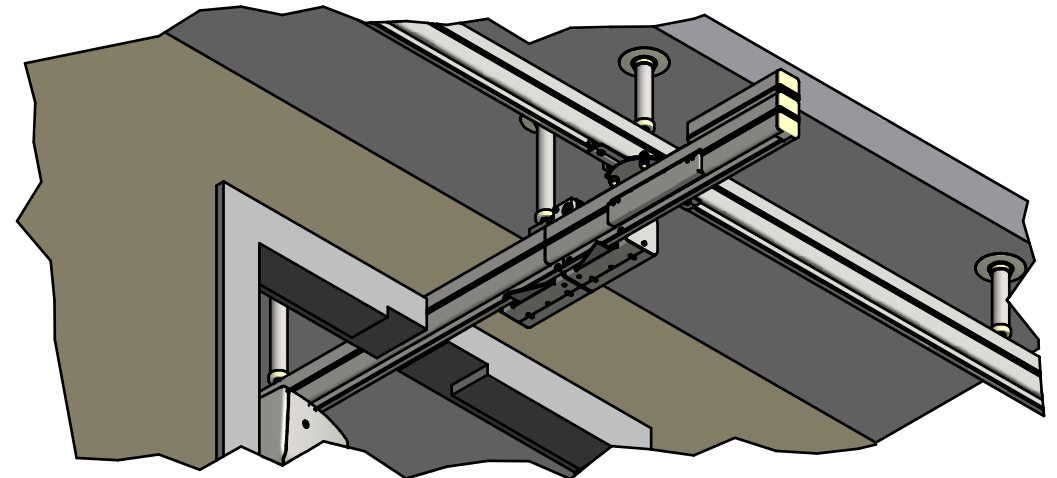


070114-1 XY through a doorway - 143mm rail under 90mm rail

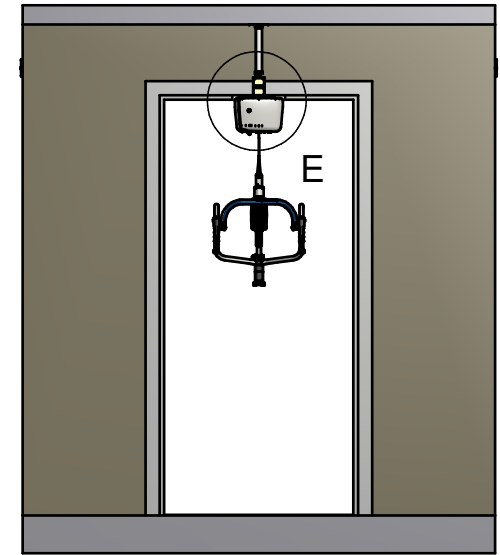
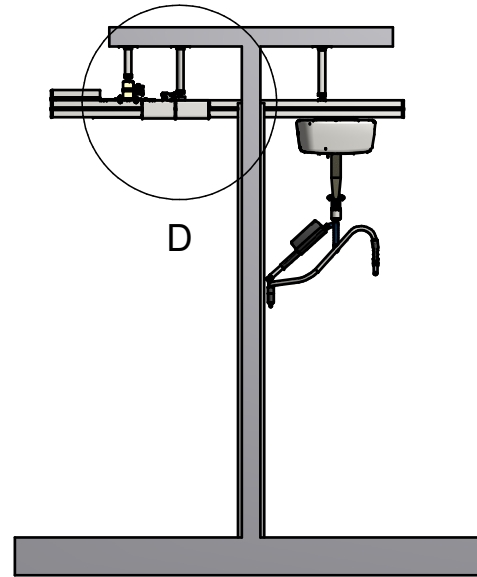
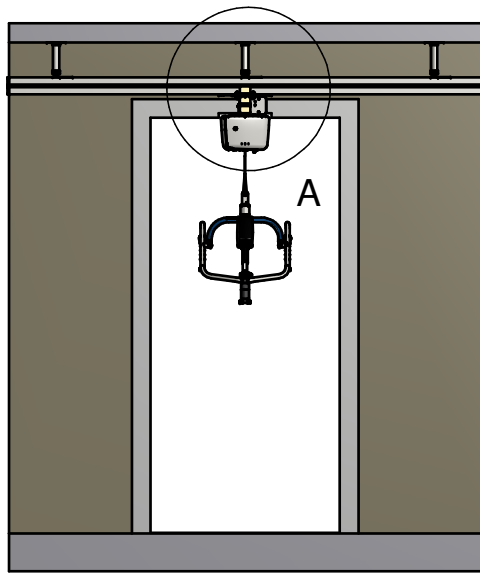
Detail Rail trough a doorway



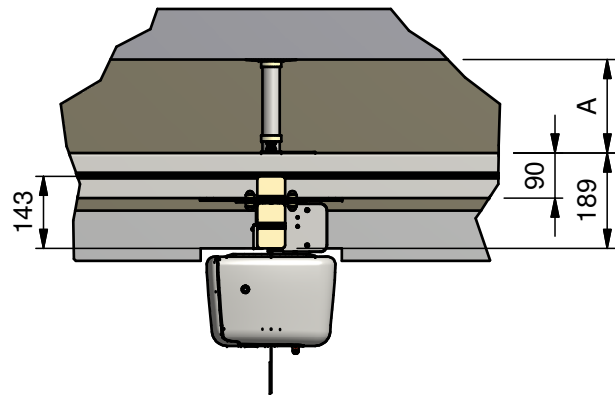
Detail XY gate trough a doorway



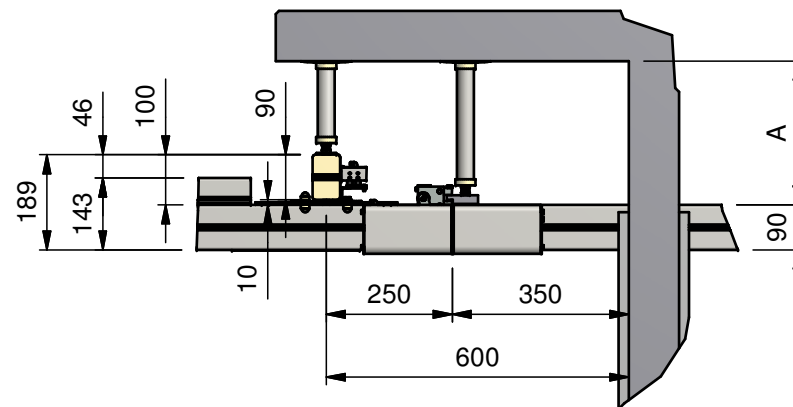
070114-1 XY through a doorway - 143mm rail under 90mm rail



Detail A



Detail B



Detail C

