



## Avero Motion Height Adjustable Bath

The Motion reclining bath is the new fresh approach to stylish and comfortable bathing offering a safe experience for the client or patient whilst understanding the needs of the care giver.

Only one carer is needed to operate the Motion reclining bath and safely control the practical functions which have been incorporated into this bath. The carer can easily adjust the height of the bath and perform the reclining motion for easy access and bathing positioning making it simple to operate.

### Unique Features

- Height adjustable Reclining Bath
- Large lightweight door
- Generous internal dimensions
- 2 Stage auto-fill
- Low user entry height of 490mm



Spacious 98ltr foot well



Sleek Contemporary Design



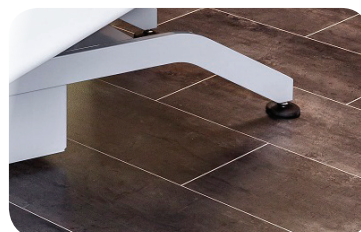
Large lightweight door



Air Jet, Music and light Therapy System




Door handle with built in safety lock



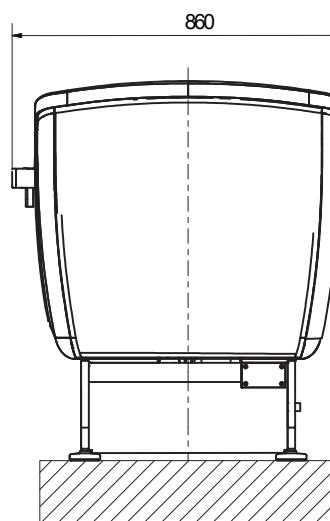
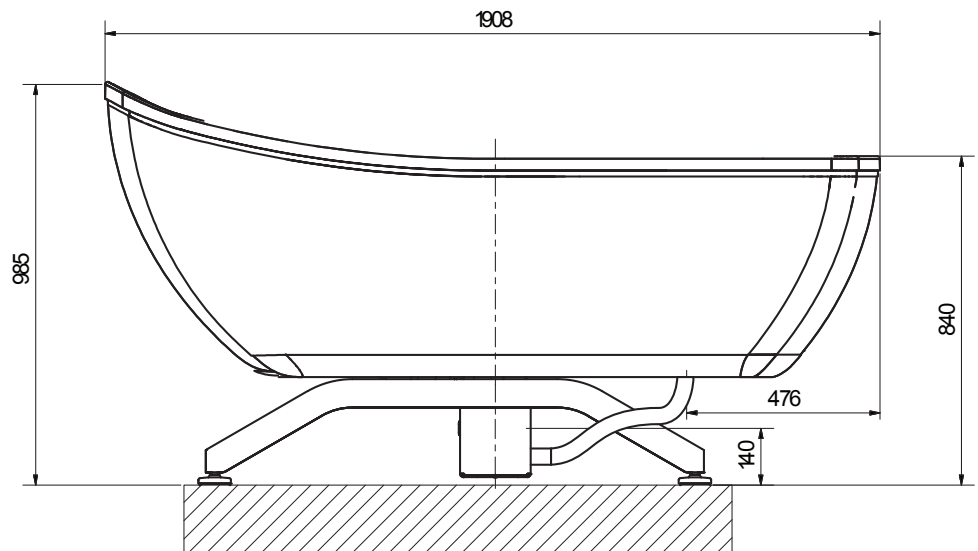
Large for additional stability

Product Specifications Avero Motion Bath

# Specifications

Model	Avero Motion Reclining Height Adjustable Hydrotherapy Bath
Function	Height Adjustable Bathing, Hydrotherapy Bathing, Assisted Bathing
Dimensions	
Height Range	810 - 1010mm bath height range
Weight Capacity	210kg safe working load
Options	Range of thermostatic valves, WRAS Gantry and shower, Shower gantry option, Air spa, Aromatherapy system, Music system, Coloured chromatherapy light system
Application	Nursing Home, Hospital, Domestic, Hospice
LED Light Colours	

# Dimensions



Clockhouse, Dogflud Way, Farnham, Surrey, United Kingdom, GU9 7UD  
T: +44 (0)1252 758858 F: +44 (0)870 1619681 E: info@opemed.net  
www.opemed.net