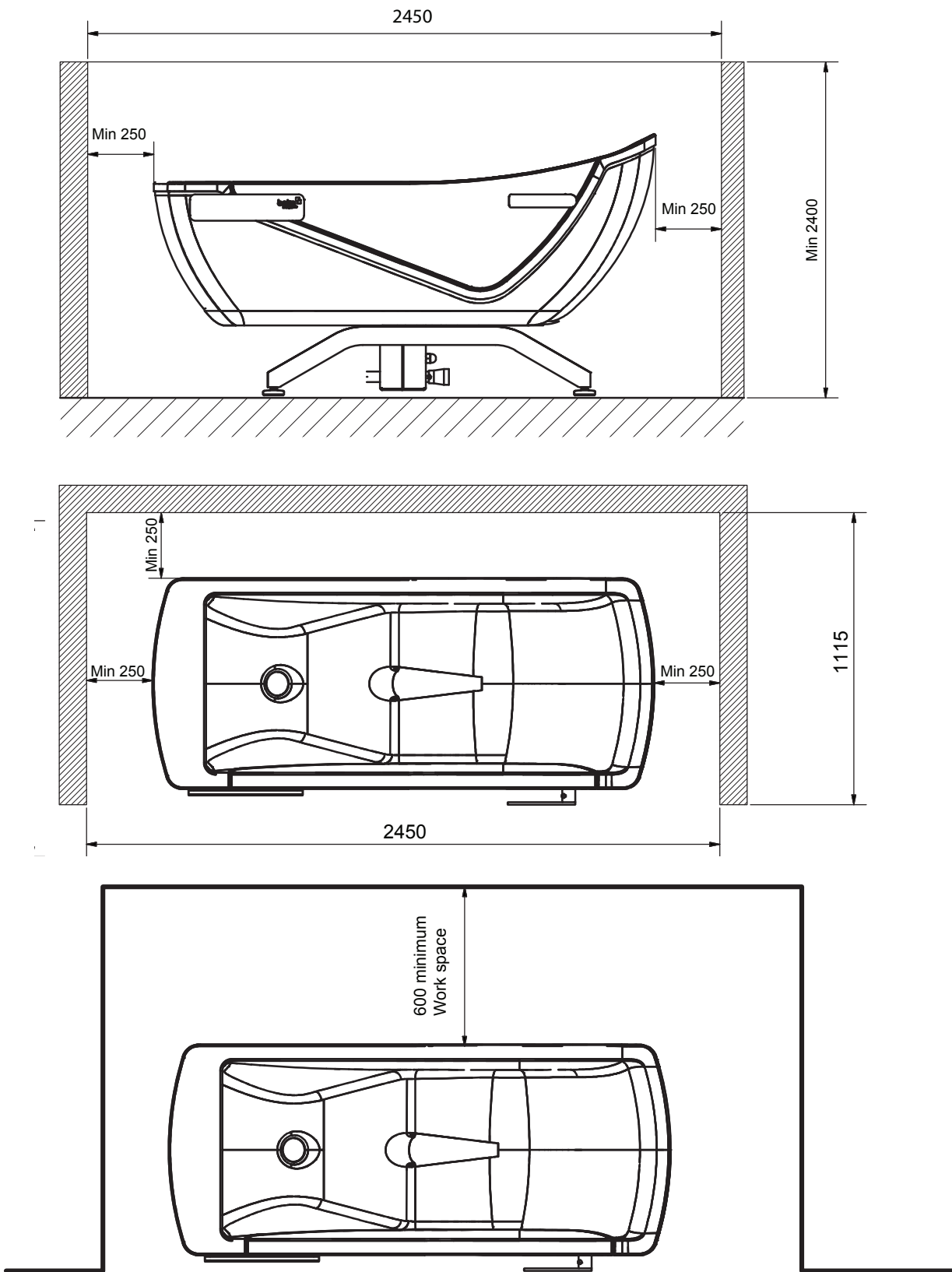
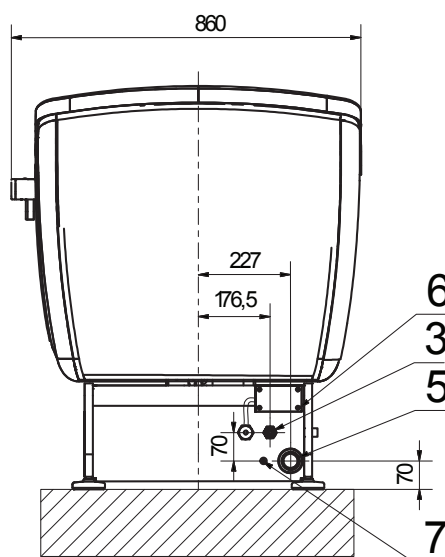
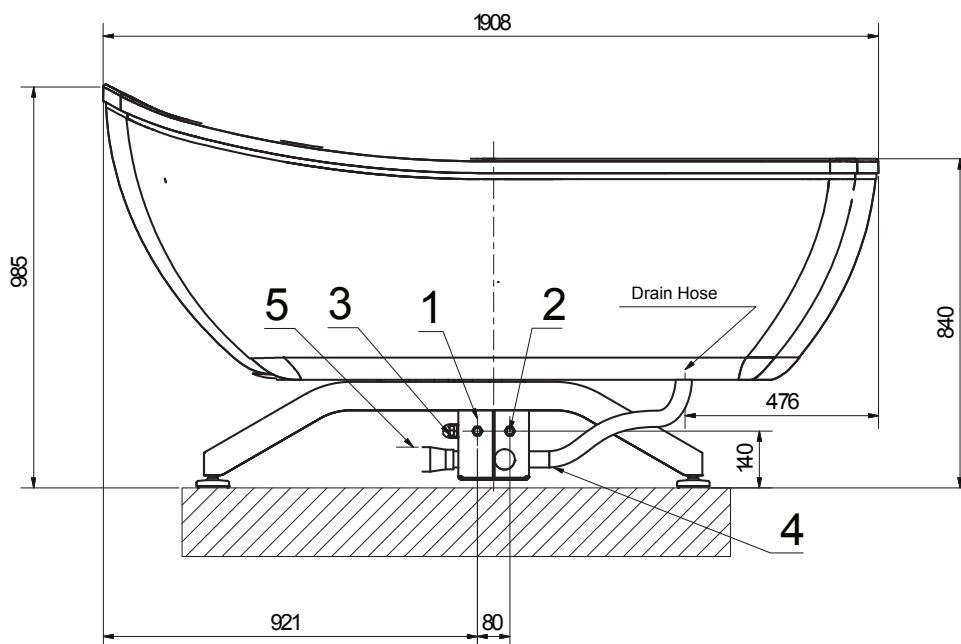


Space Required

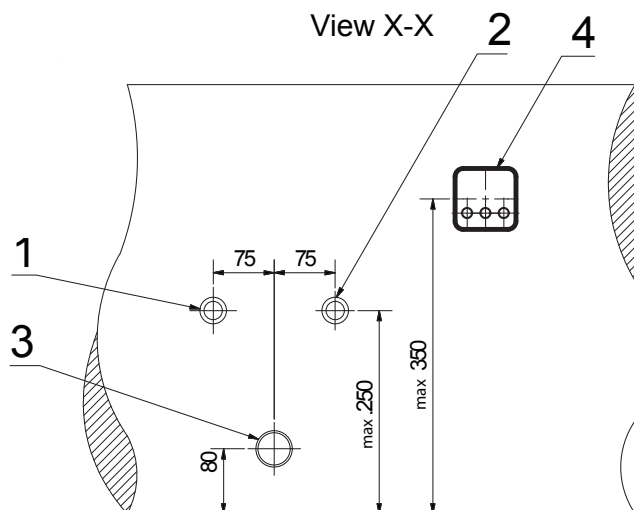
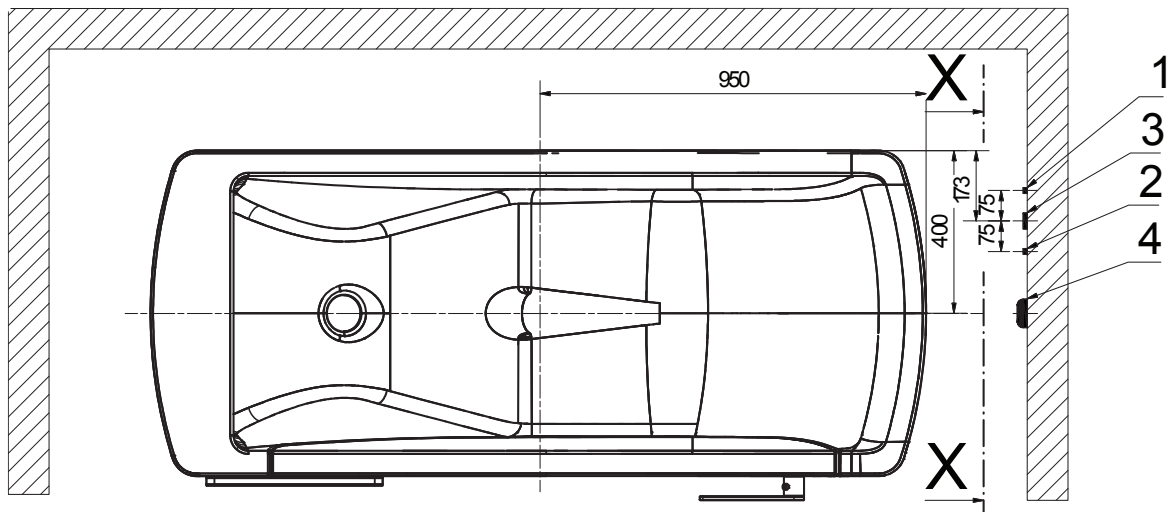


Connections to Bath



Connections to the Bath		
No.	Description	Key
1	Cold water isolator	1/2" Ball valve
2	Hot water isolator	1/2" Ball valve
3	Connection Gantry system	1/2" Sleeve
4	Flexible waste hose connection	Din 40-40mm
5	Waste Connection 50mm	Din 50-50mm
6	Terminal Box	1.5mm cable
7	Earth bonding connection	M6

End Connections



Pre-installed connections-Water & Electric

1. Hot water-connection 22mm Female
2. Cold water-connection 22mm Female
3. Drainage 50mm, 50mm above tiles/floor
4. Junction-box IP X5 (min) 230V 50Hz, 1,5mm

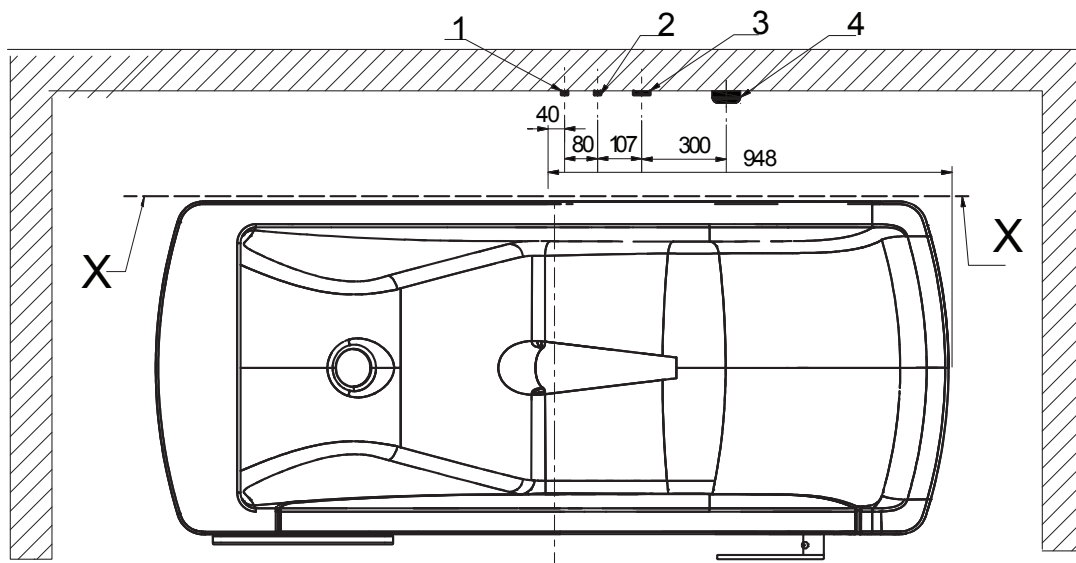
Protected 13A Spur

Pre-installed RCD

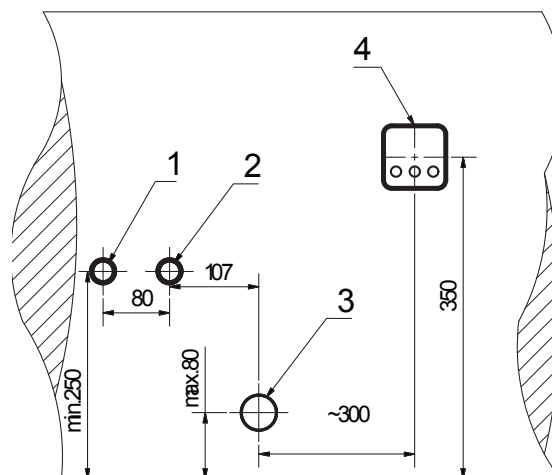
Isolator valves cold/hot water.

Electric connections must be made to comply with local regulatio

Side Connections



View X-X



Pre-installed connections-Water & Electric

1. Hot water-connection 22mm Female
2. Cold-water-connection 22mm Female
3. Drainage 50mm, 50mm above tiles/floor
4. Junction-box IP X5 (min) 230V 50Hz, 1,5mm Protected 13A Spur
Pre-installed RCD
Isolator valves cold/hot water.

Electric connections must be made to comply with local regulations.