



## Ope-Max Lite Mobile Hoist

Designed for regular use, the Ope-Max Lite is the perfect choice when a strong, sturdy hoist is required in the Nursing Home, Hospital, SEN School and regular use home environment. The single frame ensures the hoist is extremely strong, highly stable, and very reliable.

Including the high reach seen in the design of the Ope-Max 500, the Ope-Max Lite is suited for a wide variety of uses. The powered opening/closing legs make regular use easy, quick and safe. With a choice of self-balancing cradle or loop spreader bar the Ope-Max Lite ensures all lifting requirements are met.

### Unique Features

- Powered opening/closing legs
- Option of balancing cradle or loop spreader bar
- Single frame sturdy design
- Proven Linak battery and actuator
- High quality braked castors

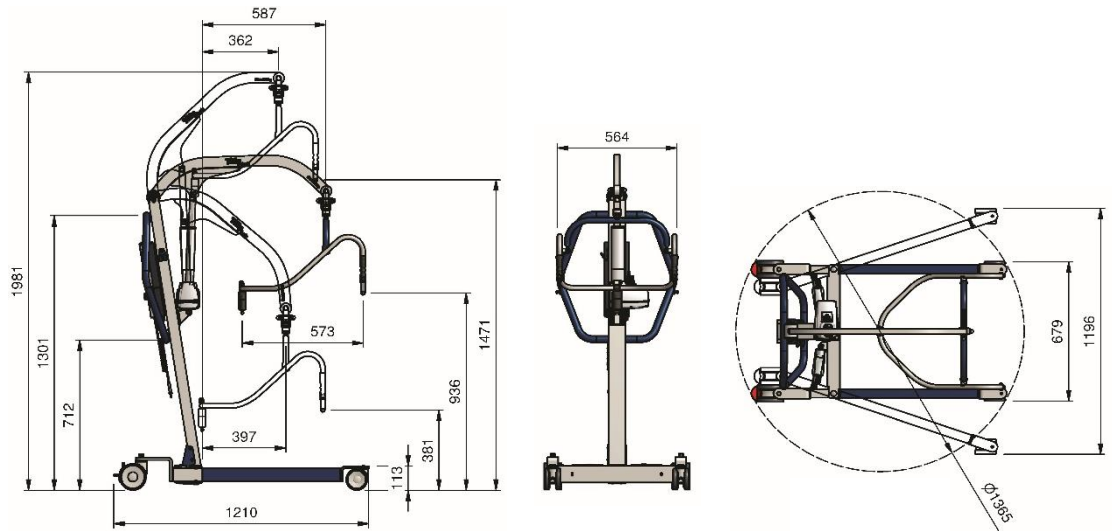


Product Specification Ope-Max Lite Mobile Hoist

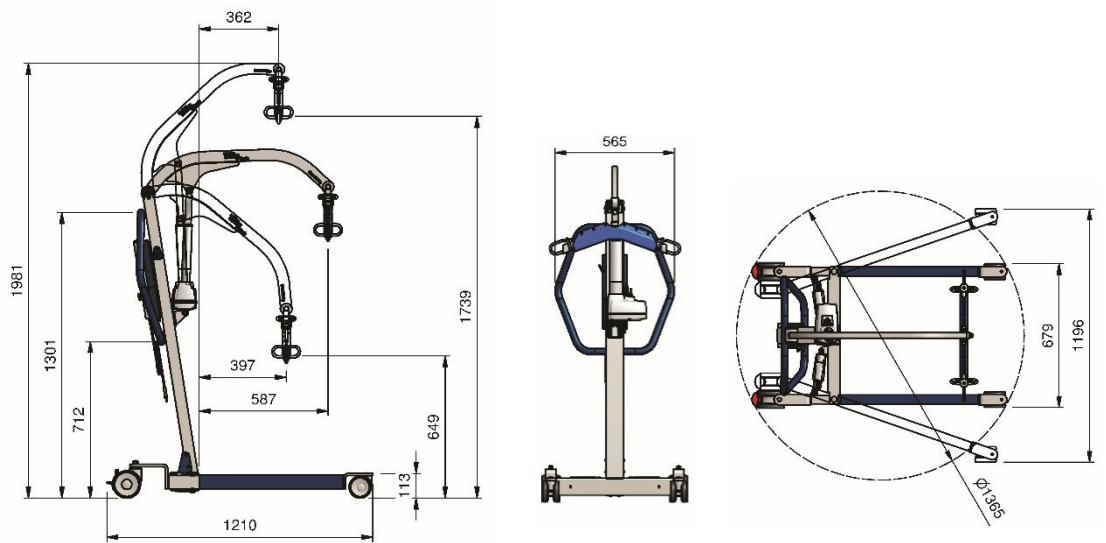
## Specifications

Model	Ope-Max Lite Mobile Hoist
Function	Mobile Patient Transfer, Room-to-Room Transfer.
Legs	Powered opening/closing
Weight Capacity	160kg
Application	Nursing Home, SEN School, Hospital, Regular Use Homecare
Sling Attachment	Manual Balance Cradle or Loop Spreader Bar

## Dimensions



*With Cradle Spreader Bar*



*With 6 Hook Spreader Bar*

## Contact

### OpeMed (Europe) Ltd

Clockhouse, Dogflud Way, Farnham, Surrey, United Kingdom, GU9 7UD

T: +44 (0)1252 758858

F: +44 (0)870 1619681

E: [info@opemed.net](mailto:info@opemed.net)

[www.opemed.net](http://www.opemed.net)